

# introduction

(A)

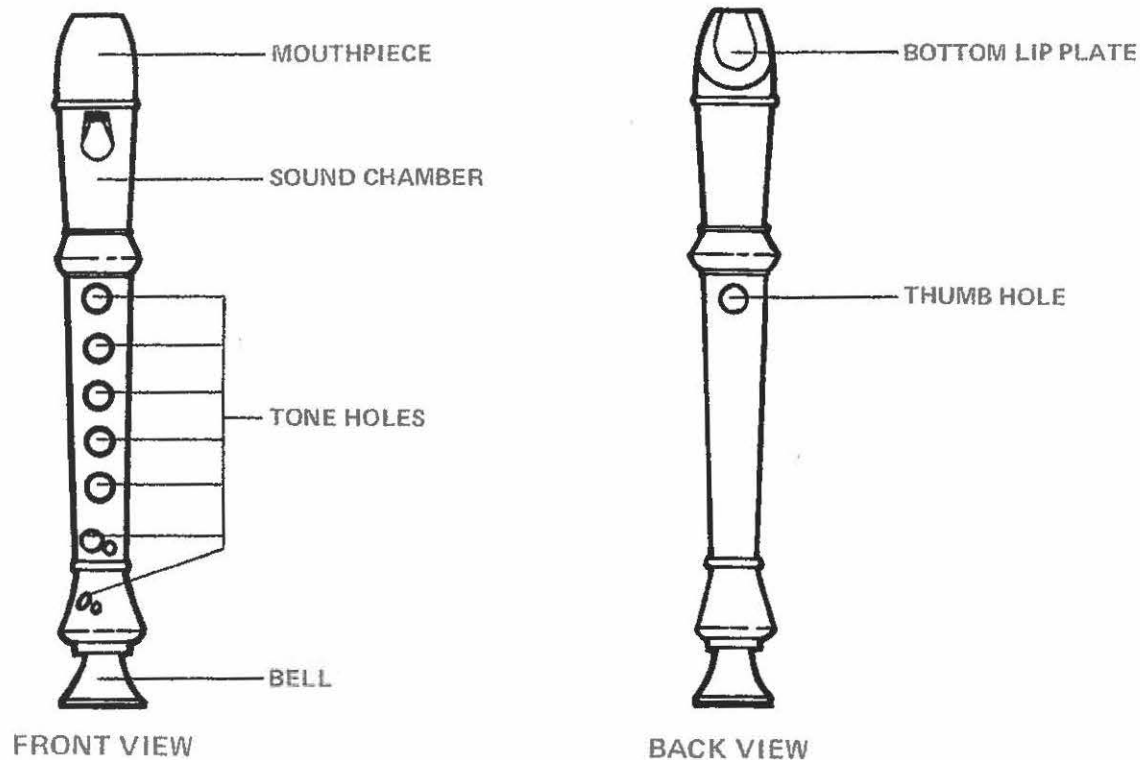
You're about to enjoy a fabulous new experience – playing a musical instrument! The recorder is easy to use and, with the aid of your teacher and the LET'S PLAY RECORDER INSTRUCTION BOOKLET, you'll soon master the basics of playing.

In addition to instruction and exercises, Level One provides you with plenty of opportunity to apply what you learn by playing dozens of your favorite songs, arranged as solos, duets and ensembles. And as you play and learn, the whole world of music opens before you.

Ready? Let's play recorder!

---

## let's look at the recorder



# it's easy to get a tone!

## step 1.

Hold the recorder with your right hand around the bell. The tone holes should be facing toward the ceiling.



## step 2.

Place the lip plate of the recorder on your lower lip. Make sure your lower lip is resting on your lower teeth.



## step 3.

Bring your top lip gently down on the tip of the mouthpiece and slightly tighten the corners of your mouth.

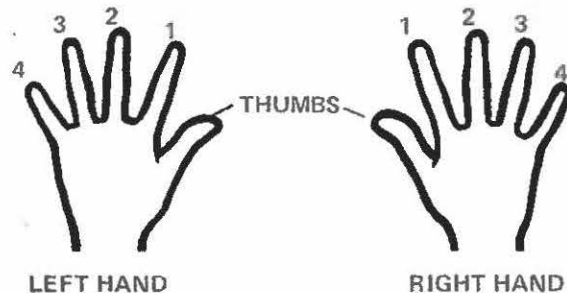


## step 4.

Sit up straight with your feet flat on the floor. Take a natural breath and blow softly into the recorder as if whispering the word "too —".



## fingering



With your left thumb, cover the thumb hole on the back side of the recorder. Cover the top three tone holes with the first, second, and third fingers of your left hand. Cover the lower tone holes with your first, second, third and fourth right-hand fingers.

Recorder Level 1 Left Hand

# BAG

B = T1

A = T12

G = T123

Dr. Garvin

Whole note = 1234

Half Note = 12 each

Quarter Note = 1 each

Song Test